

- Band8, RF-Rx SAW Filter
- Revision 0: March 2014

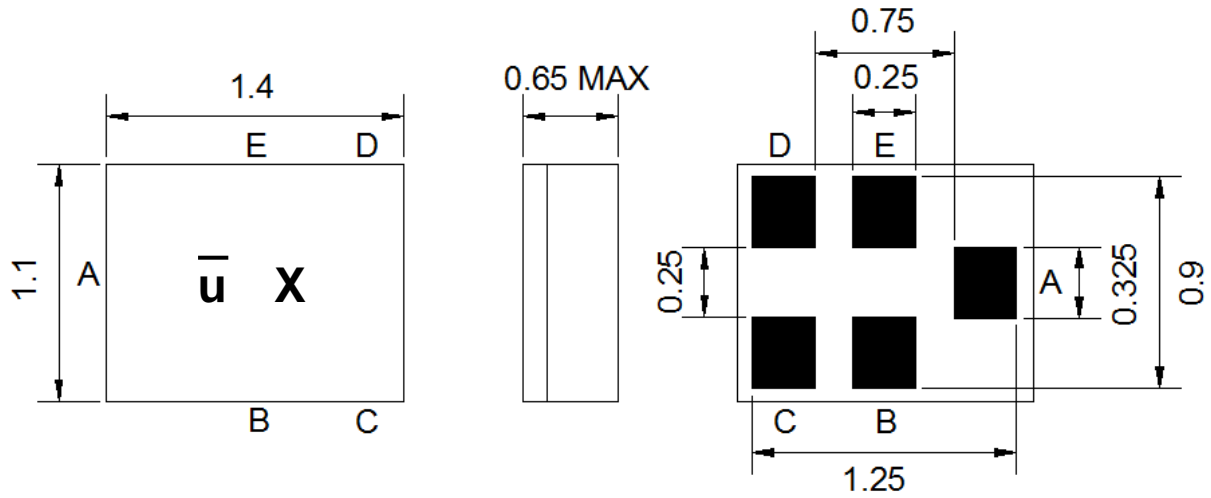
Electrical Characteristics

MAXIMUM RATING				
PARAMETERS DESCRIPTION	UNIT	MINIMUM	TYPICAL	MAXIMUM
Operating Temperature Range	°C	-30	-	+85
Storage Temperature Range	°C	-40	-	+85
Maximum DC Voltage	V	-	-	0
Maximum Input Power	dBm	-	-	10
Source Impedance (unbalanced) ⁽¹⁾	Ω	-	50	-
Load Impedance (unbalanced) ⁽¹⁾	Ω	-	50	-
Package type & size	C21			
Length x Width	mm ²	-	1.4 x 1.1	-
Height	mm	-	-	0.65

ELECTRICAL SPECIFICATION				
PARAMETERS DESCRIPTION	UNIT	MINIMUM	TYPICAL	MAXIMUM
Center Frequency (Fo)	MHz	-	947.5	-
Insertion Loss within 935.0 ~ 960.0 MHz	dB	-	2.5	3.0
Amplitude Ripple within 935.0 ~ 960.0 MHz	dB _{p-p}	-	1.5	2.0
Attenuation:				
915.0 ~ 920.0 MHz	dB	40	54	-
915.0 ~ 921.0 MHz	dB	30	54	-
920.0~ 925.0 MHz	dB	15	32	-
VSWR within 935.0 ~ 960.0 MHz	-	-	2.3	2.5

Notes: (1) No Matching Network. (Ref. Testing Environment Circuit as shown below).

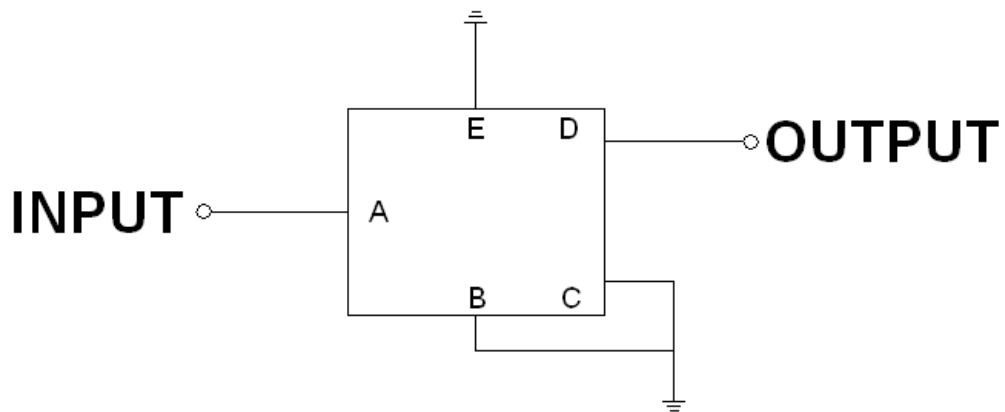
Package Dimensions



Marking Descriptions	
\bar{u}	Series Number
X	Date Code (Year+Month)

Pin Description	
B, C, E	Ground
A	Input
D	Output

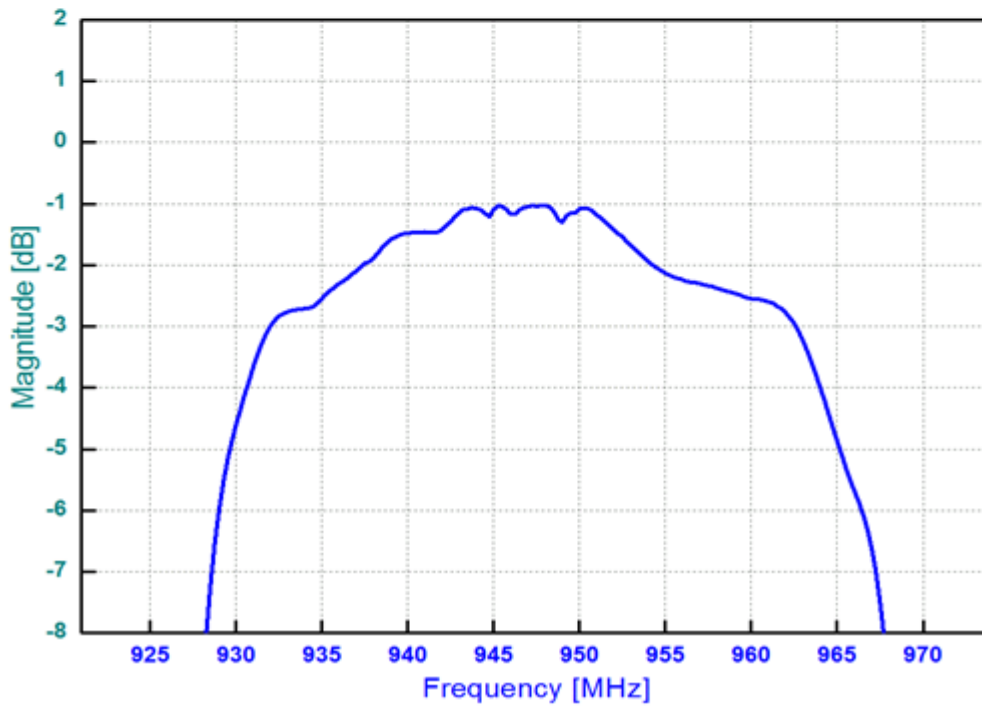
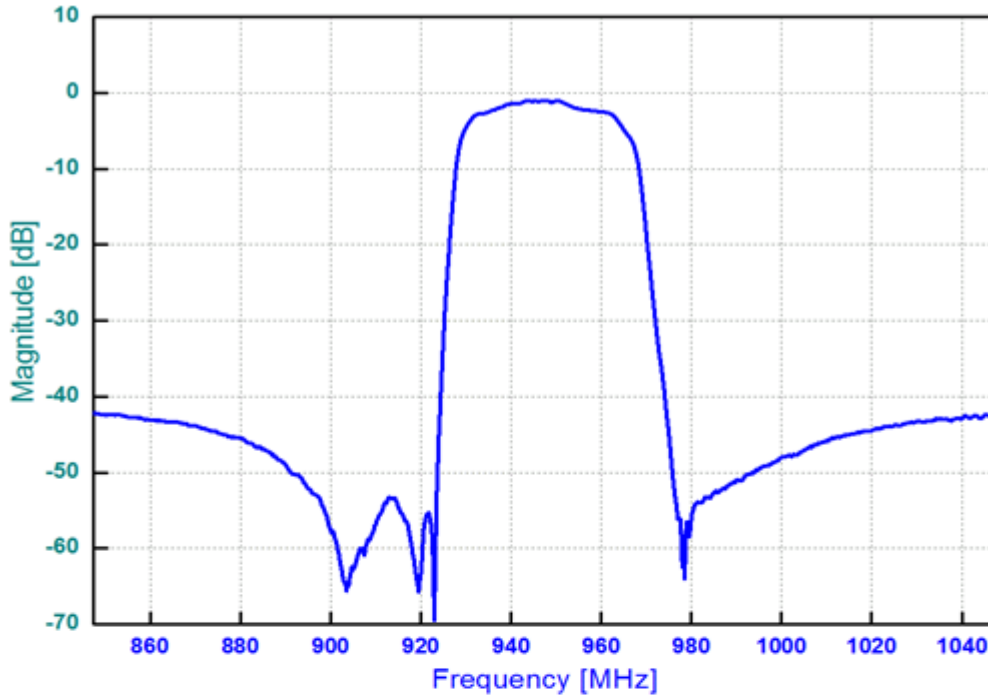
Testing Environment



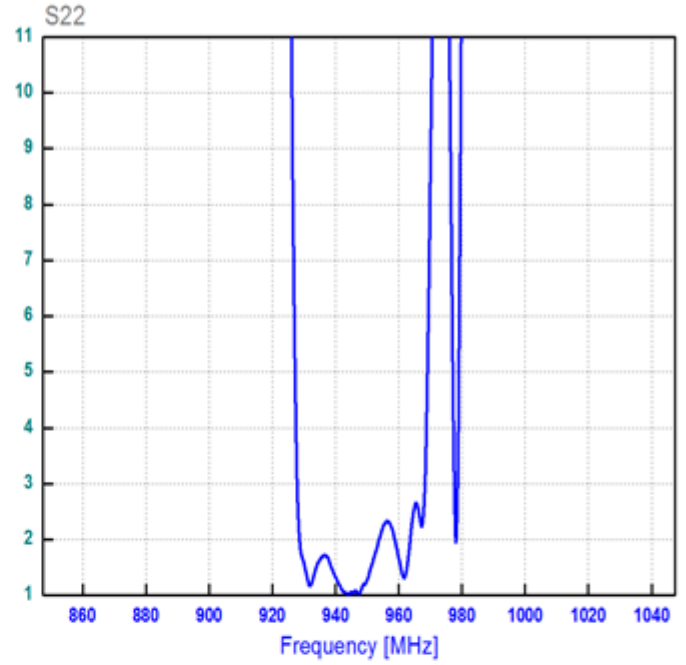
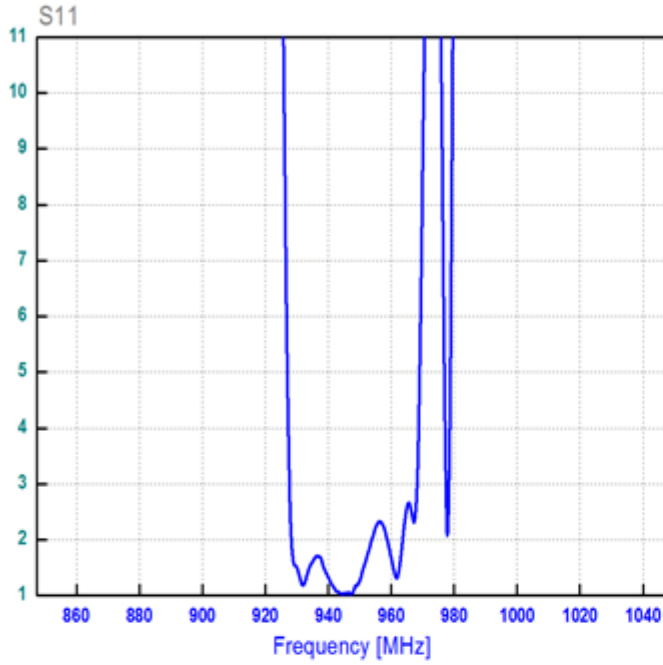
Source & Load Impedance: 50 Ω

Frequency Characteristics

Frequency Response



VSWR



Smith Chart

